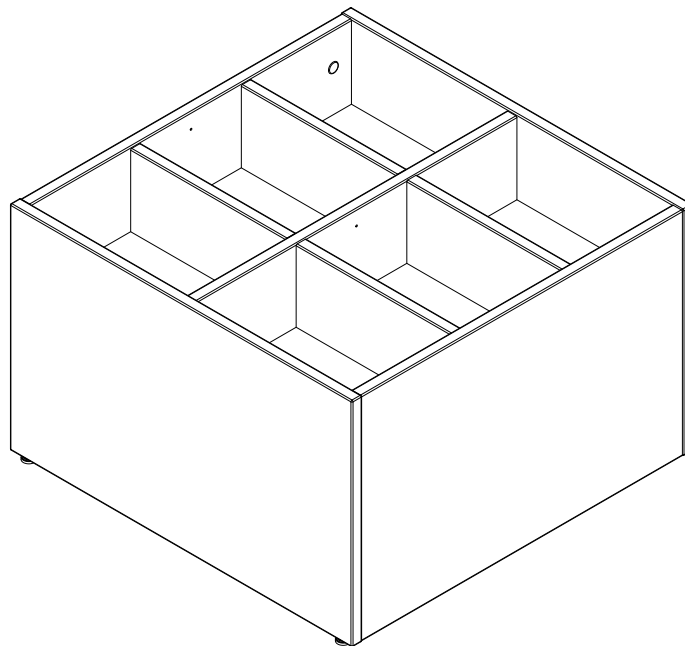
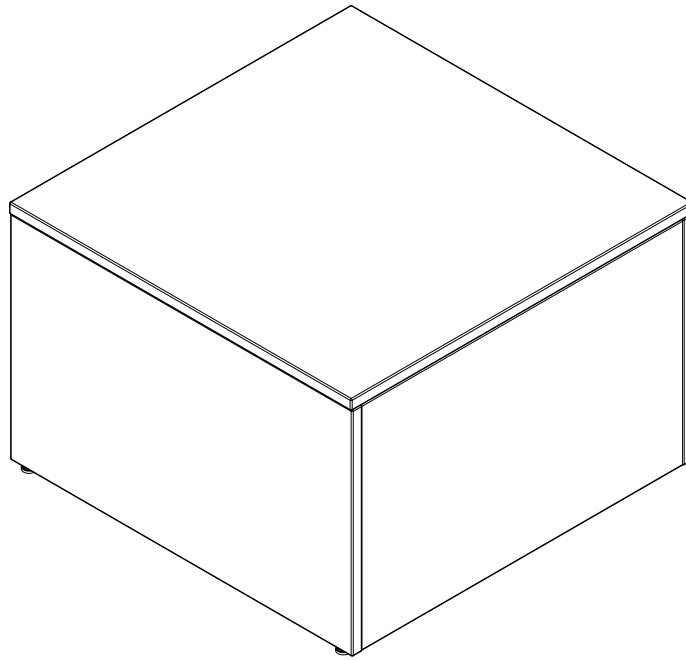




Assembly Guide

Maria XL Mini Browser/Podium



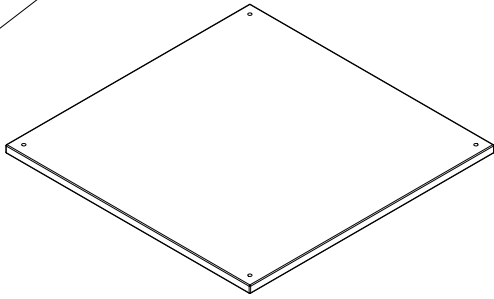
08.2023

First check the contents to make sure that nothing is missing. Sort out the screws and fittings as shown.
Assemble your furniture step by step, as shown in the illustrations.

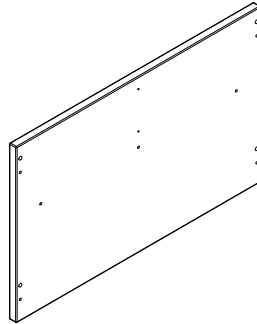
Assembly Guide



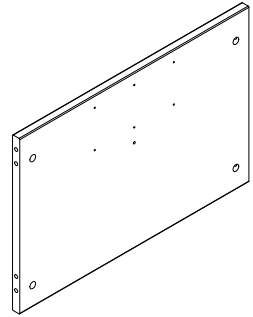
1



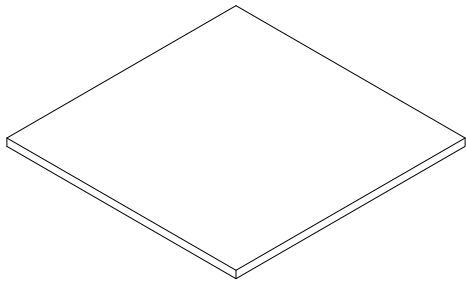
1 x A



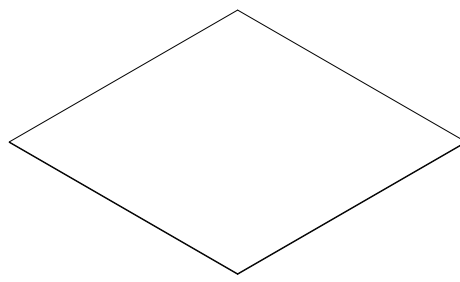
2 x B



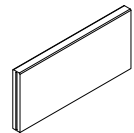
2 x C



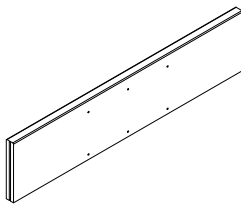
1 x D



1 x E



4 x F



1 x G



2



10 x H



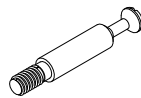
12 x I



8 x J



4 x K



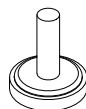
8 x L



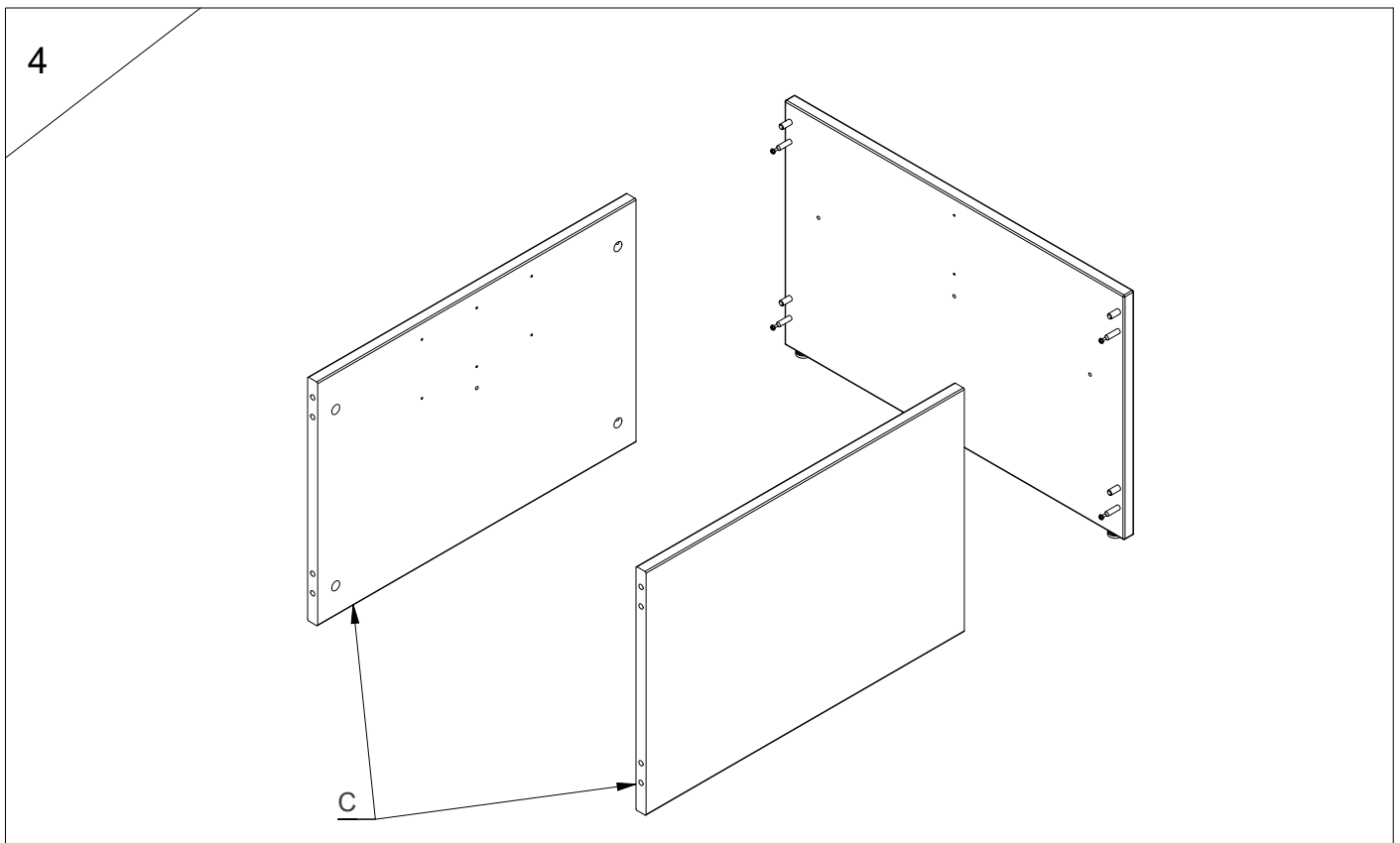
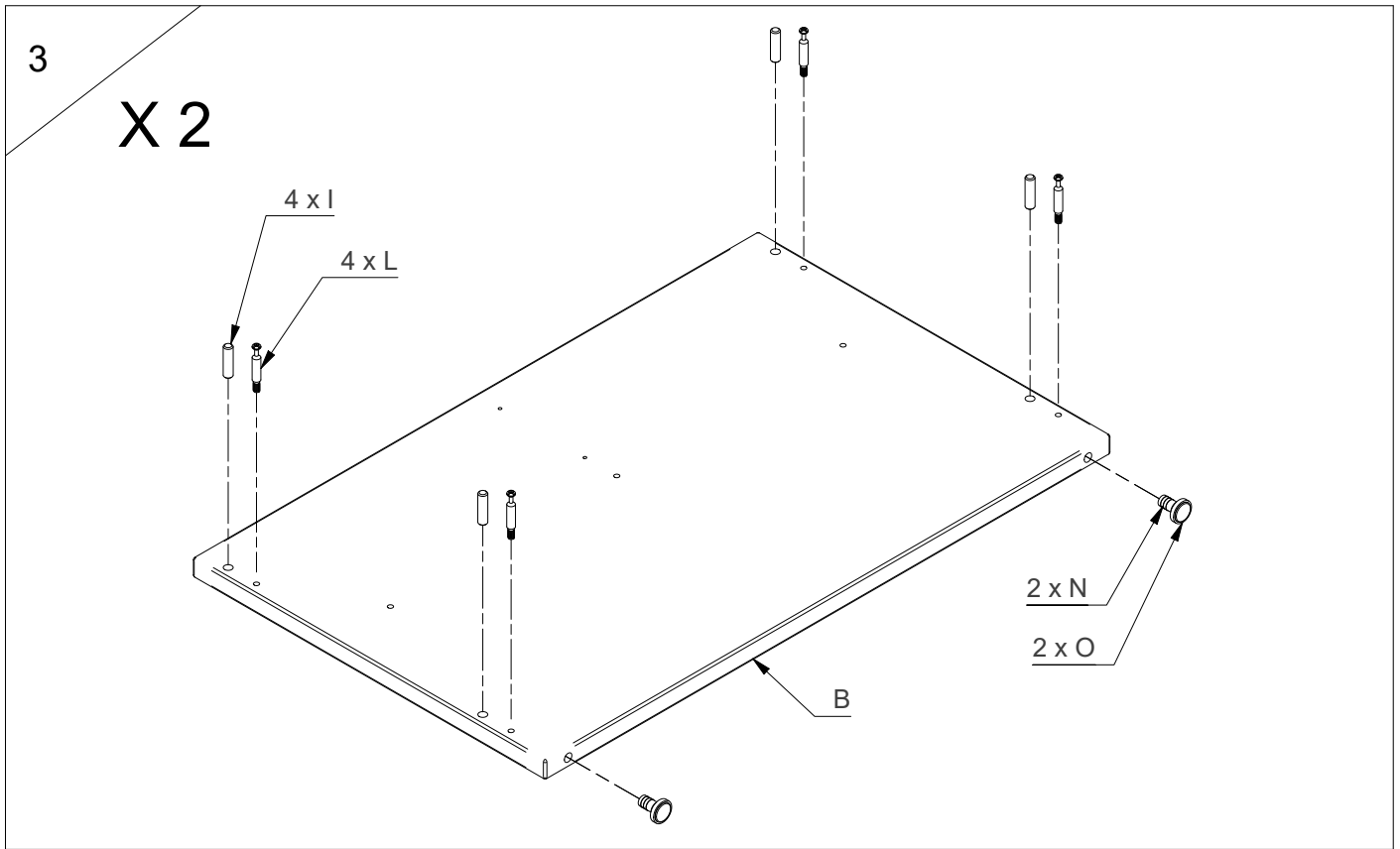
8 x M

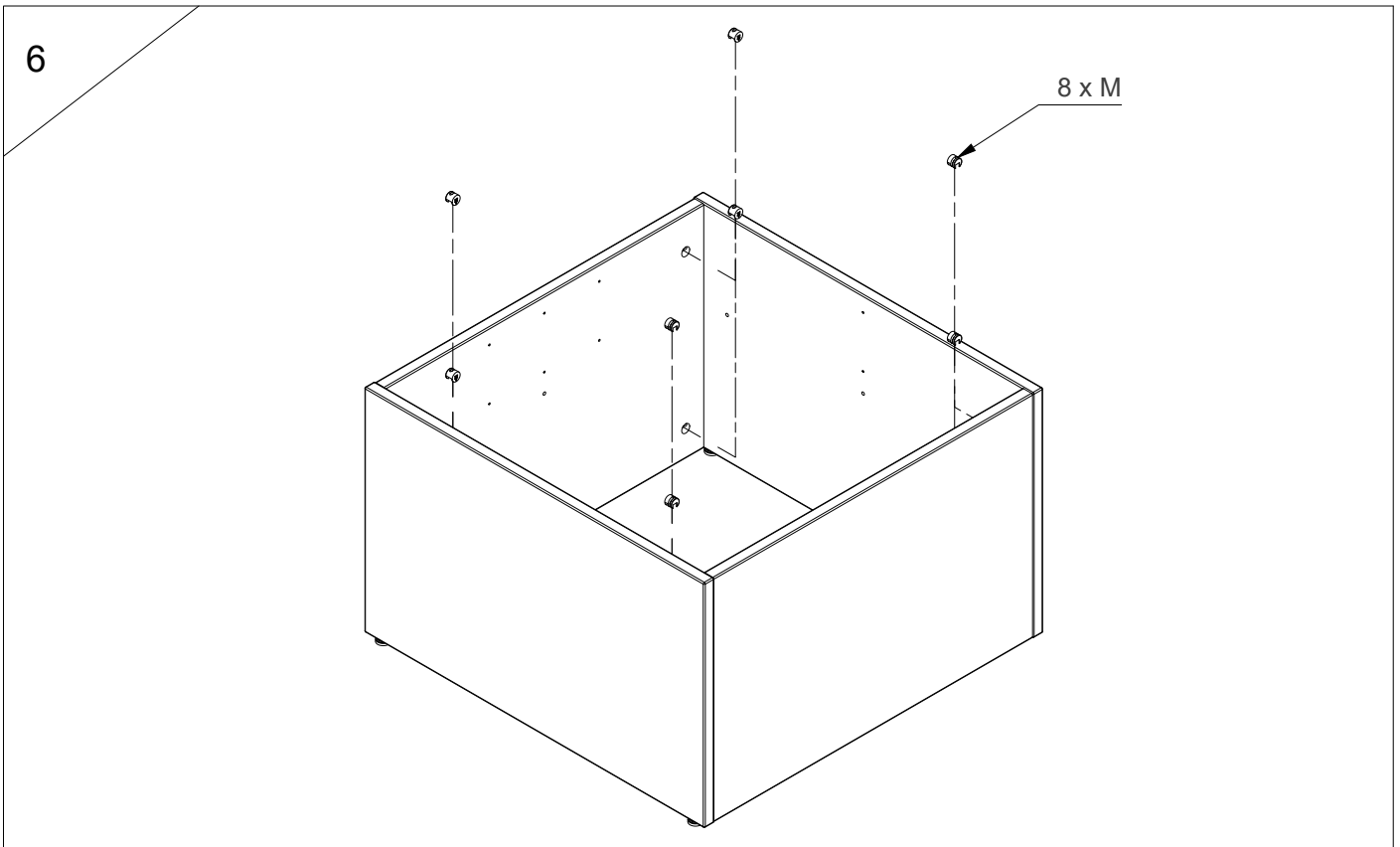
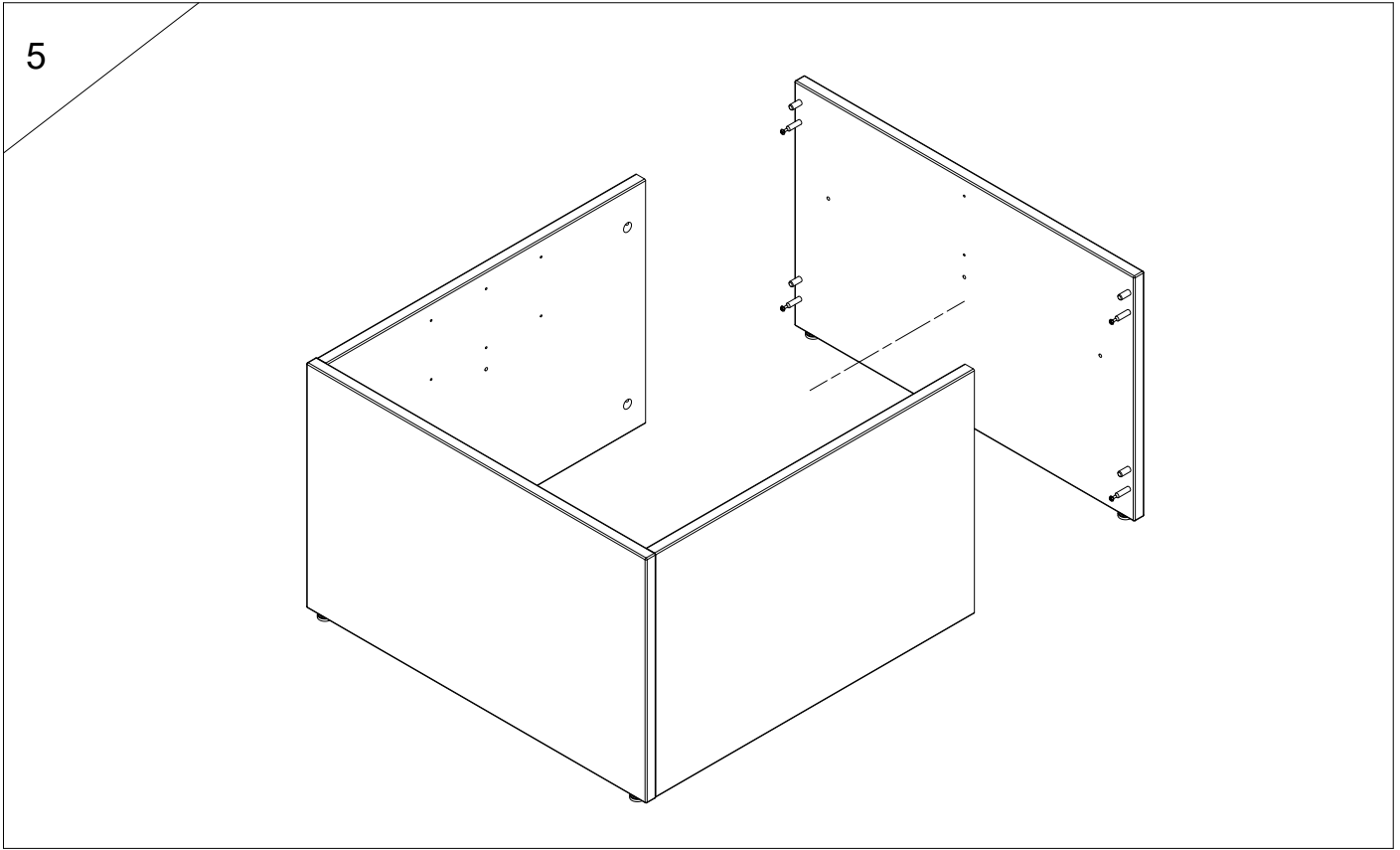


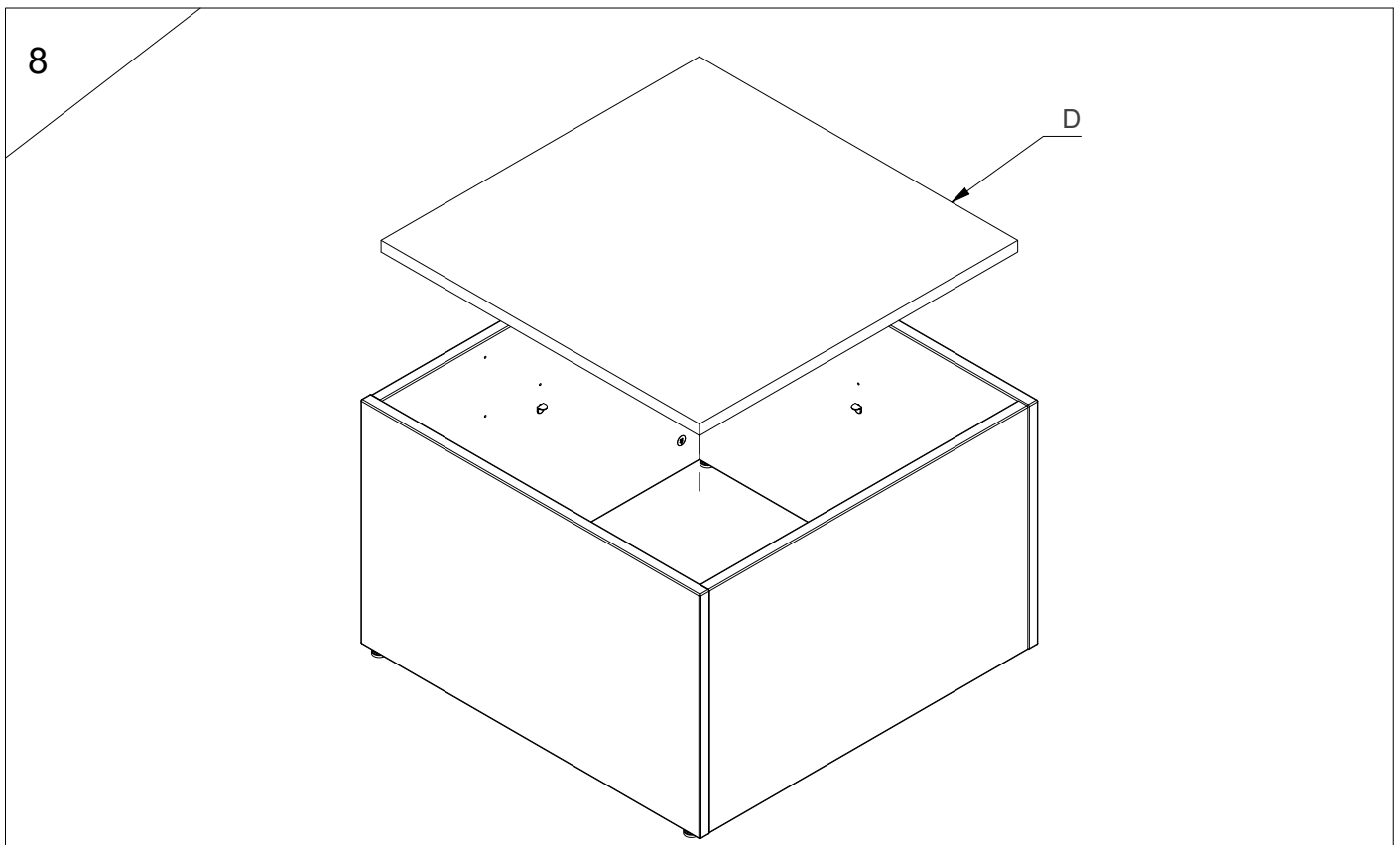
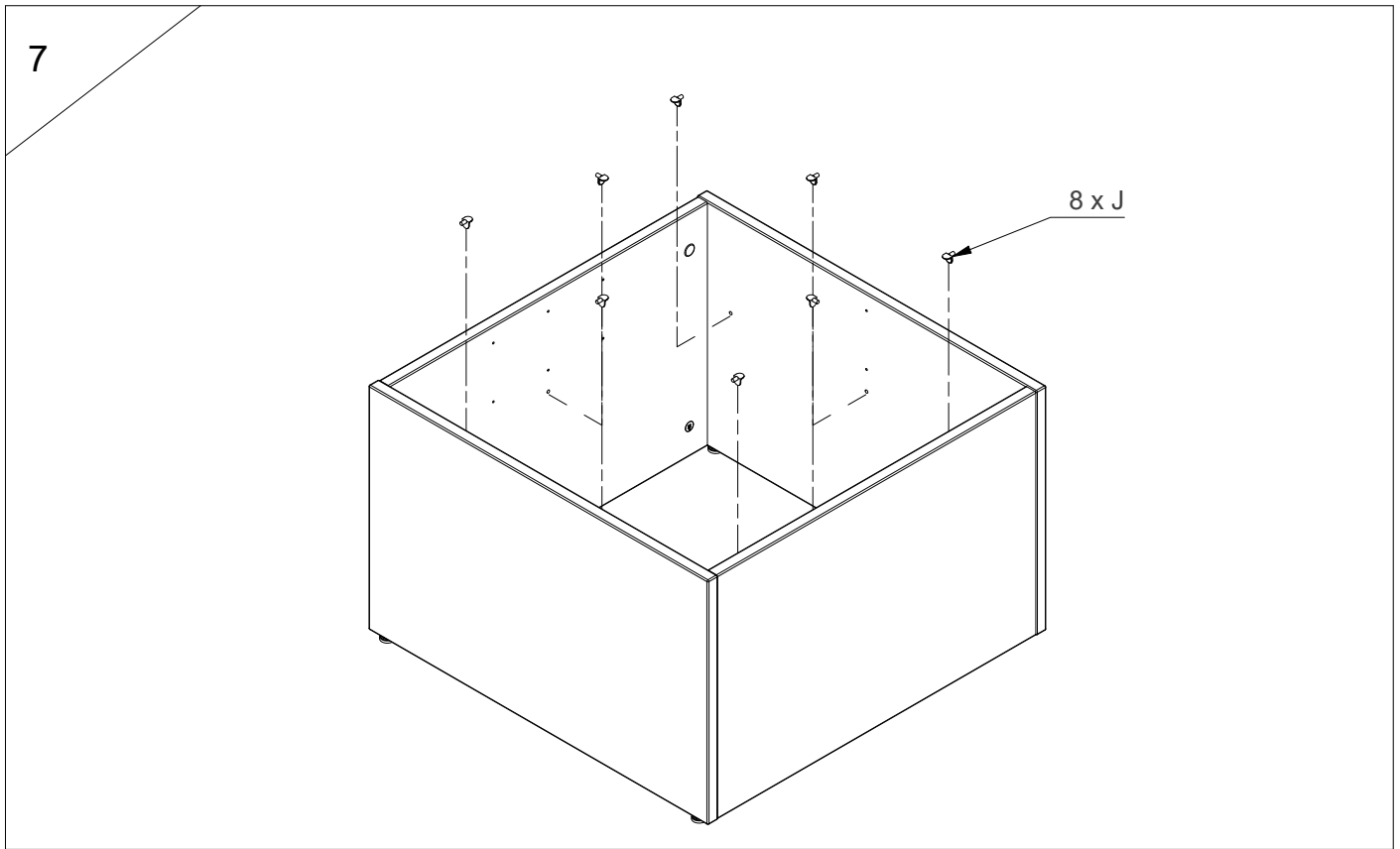
4 x N

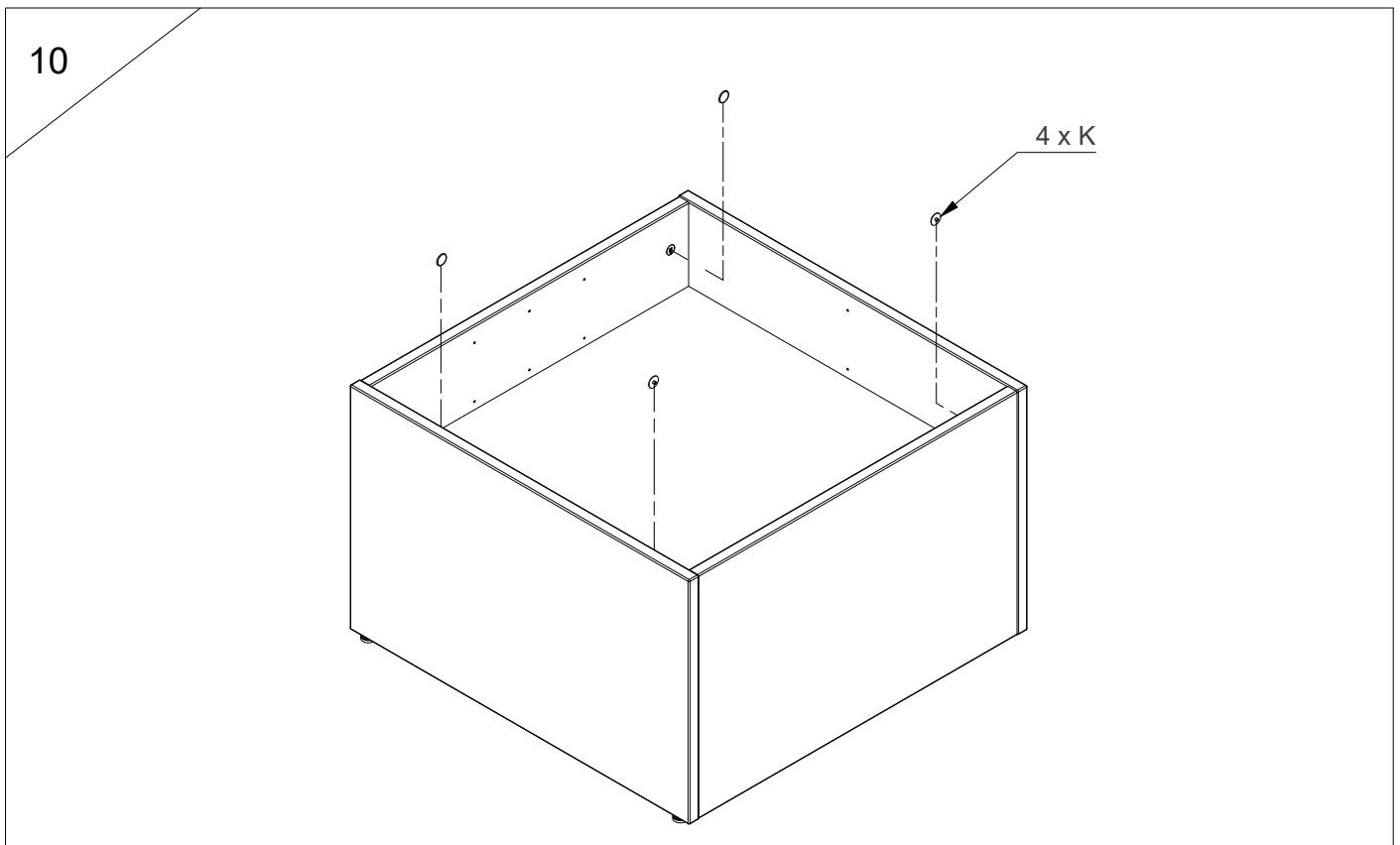
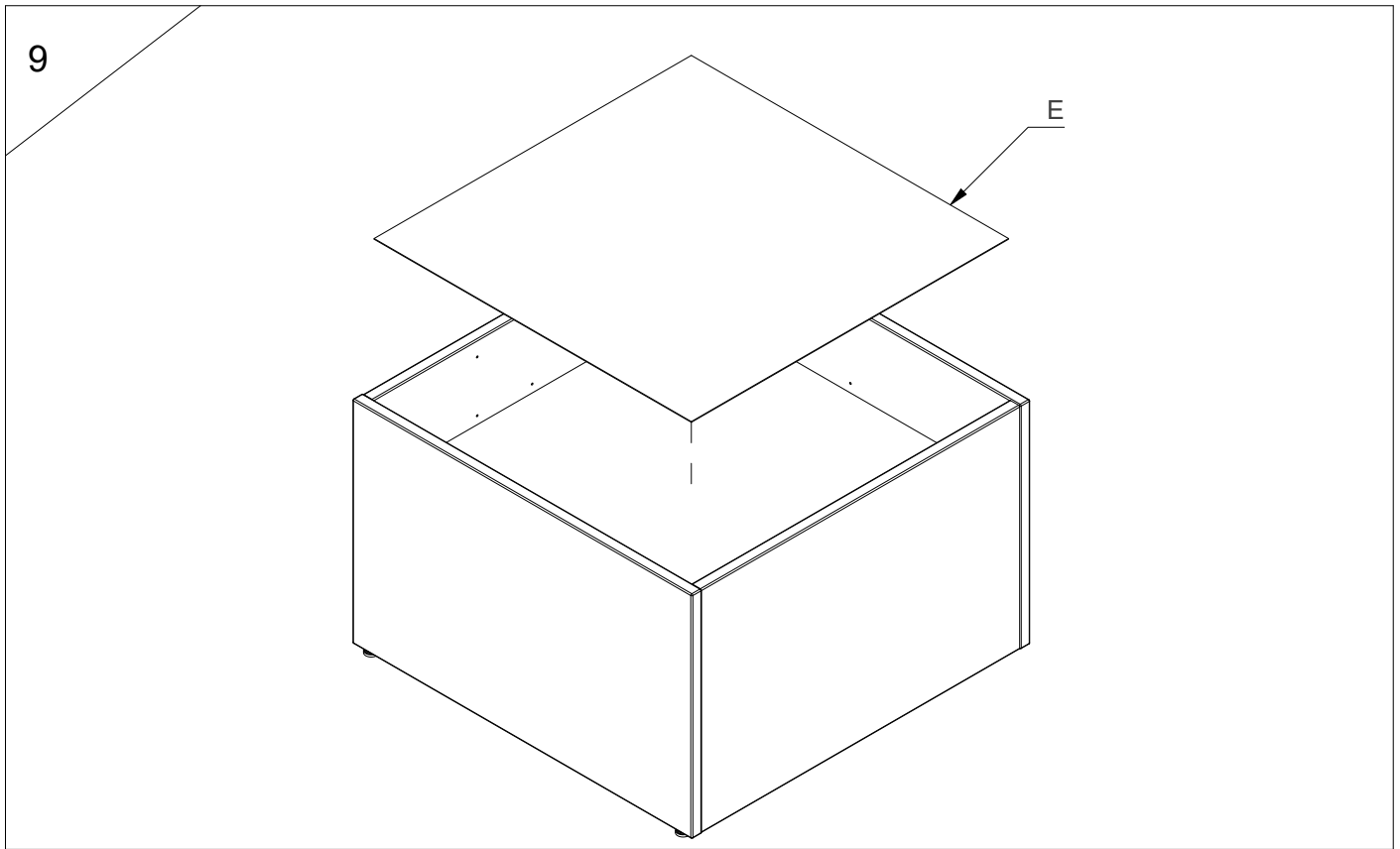


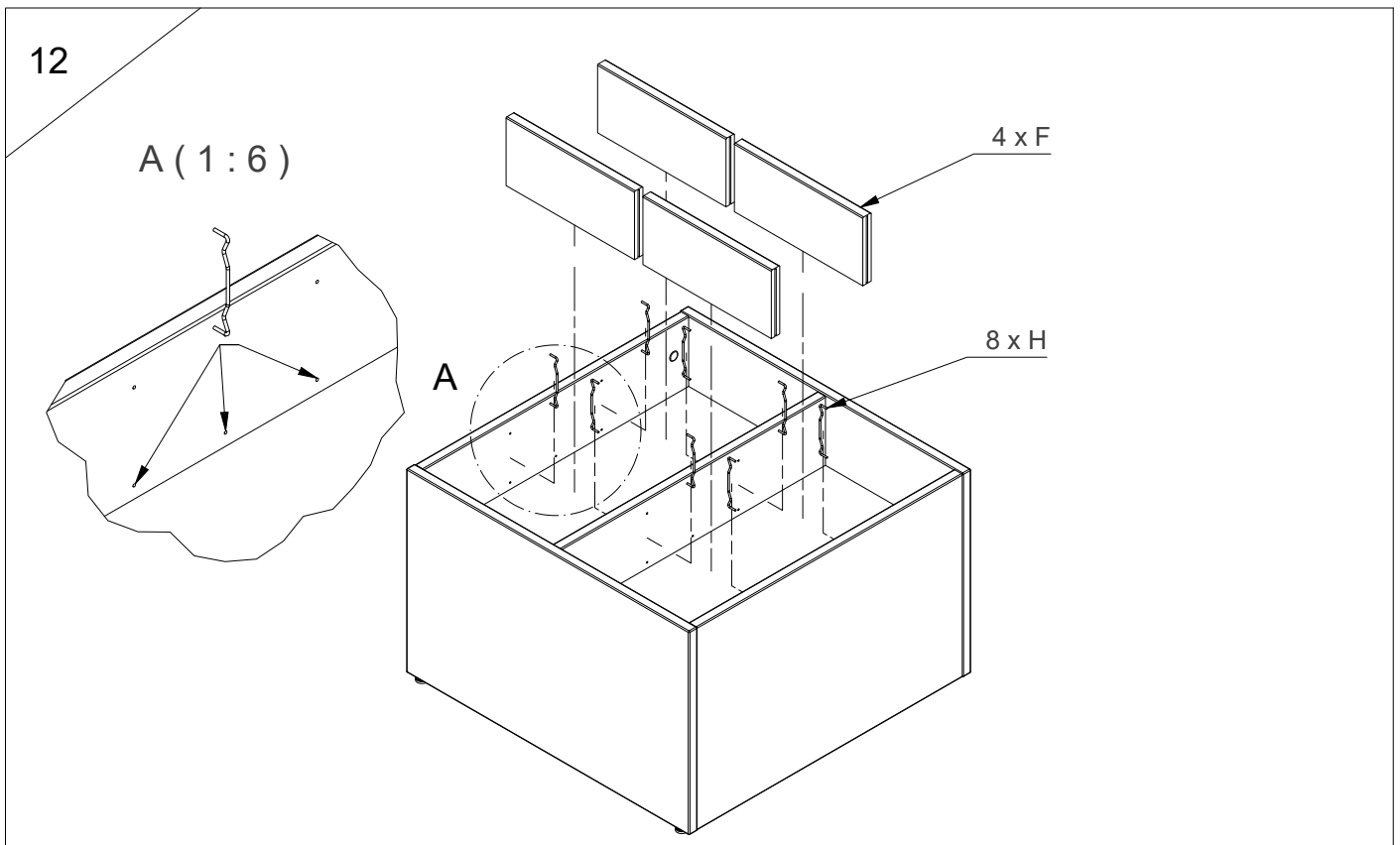
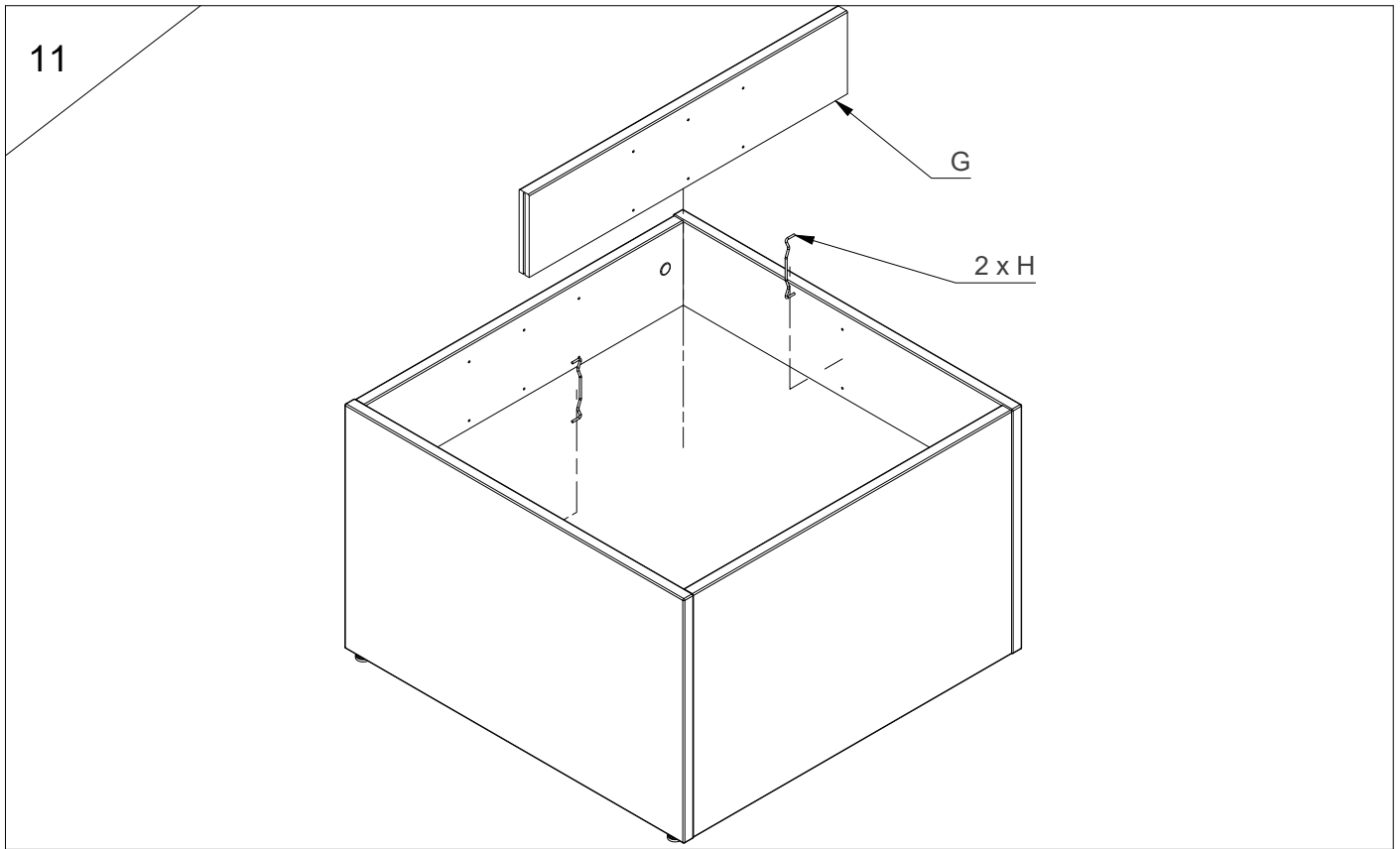
4 x O













13

