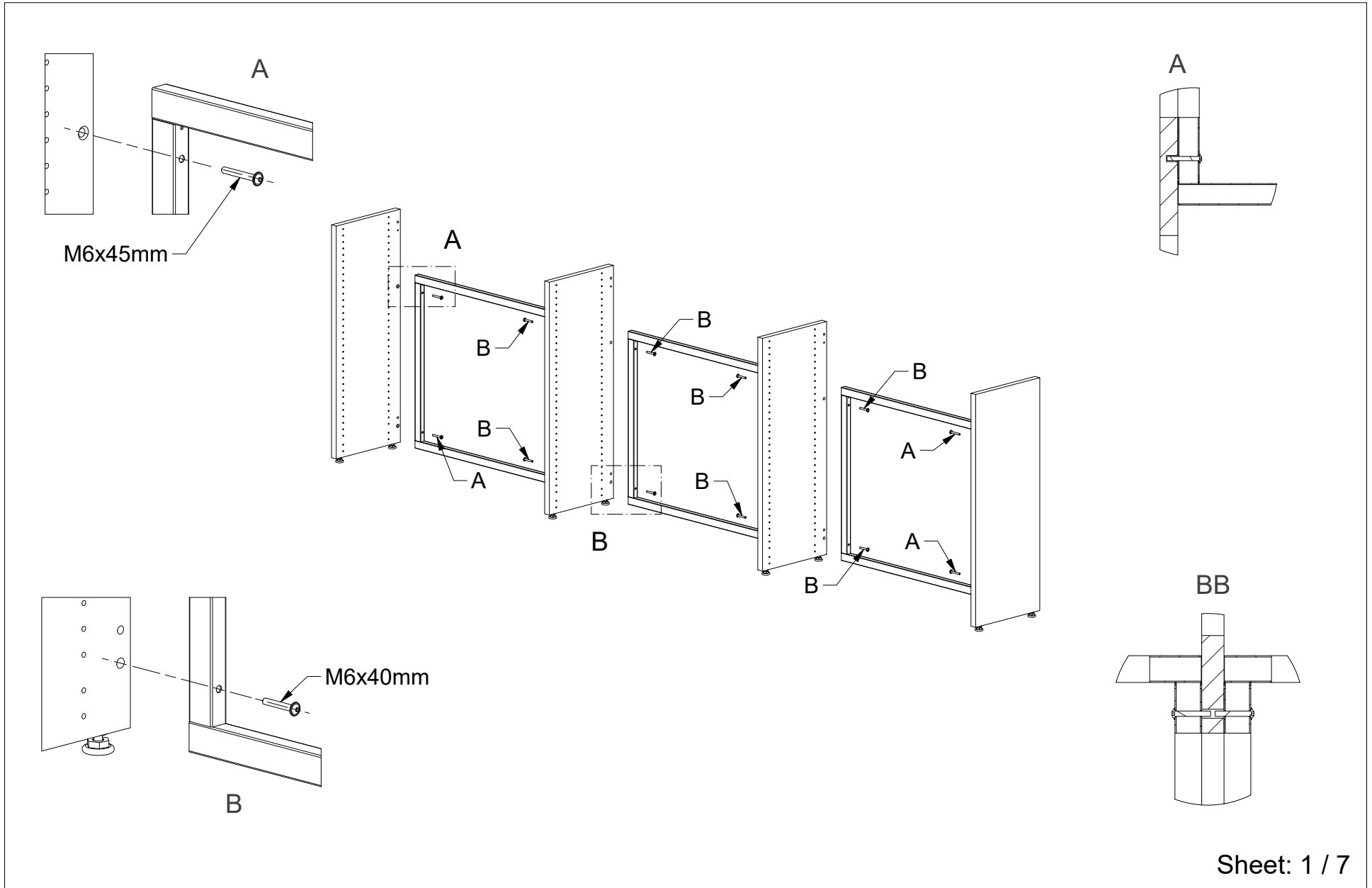


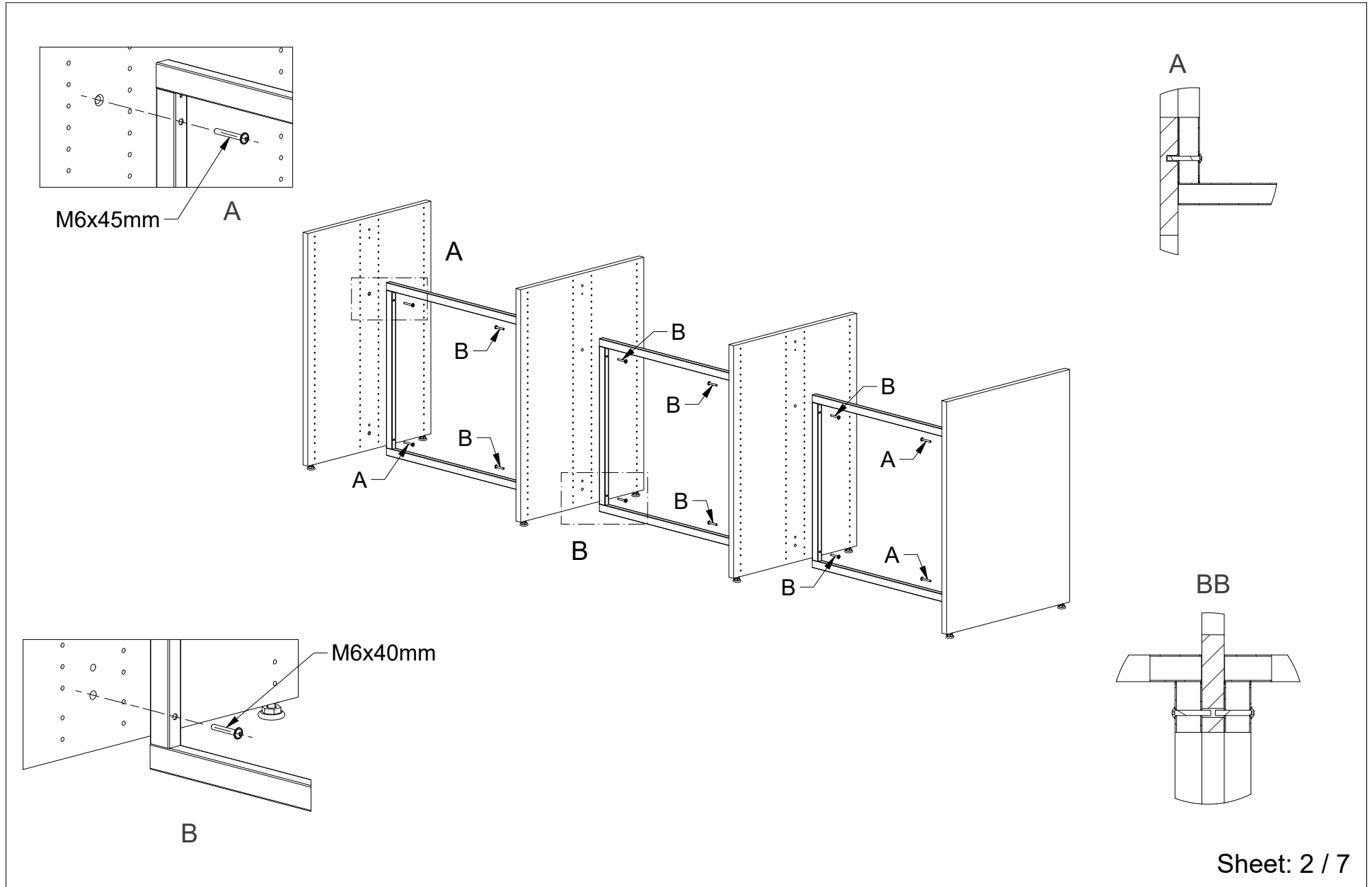


## Lingo shelving H<142 cm, single



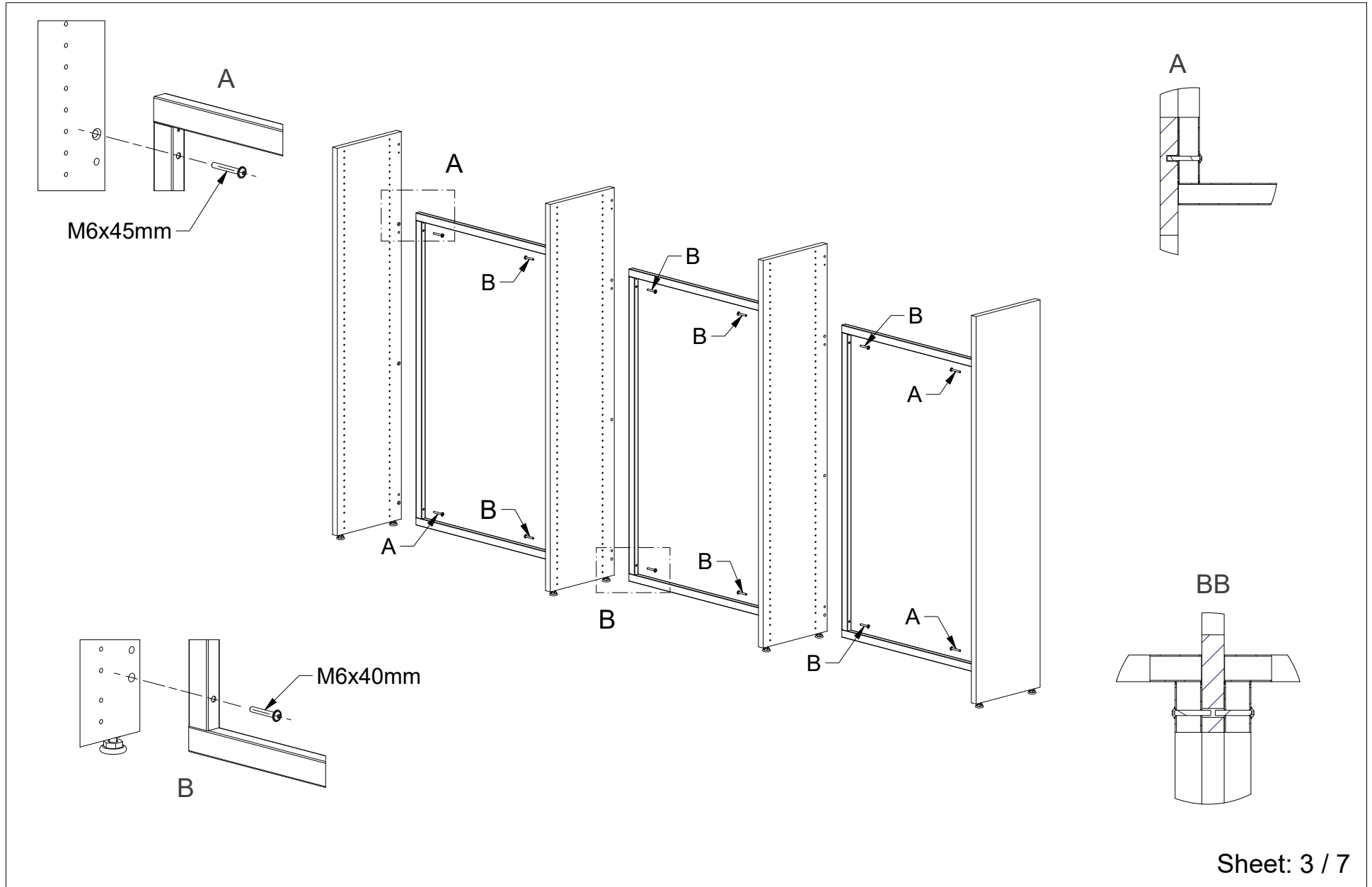


## Lingo shelving H<142 cm, double





## Lingo shelving H=142 cm - 179,5 cm, single



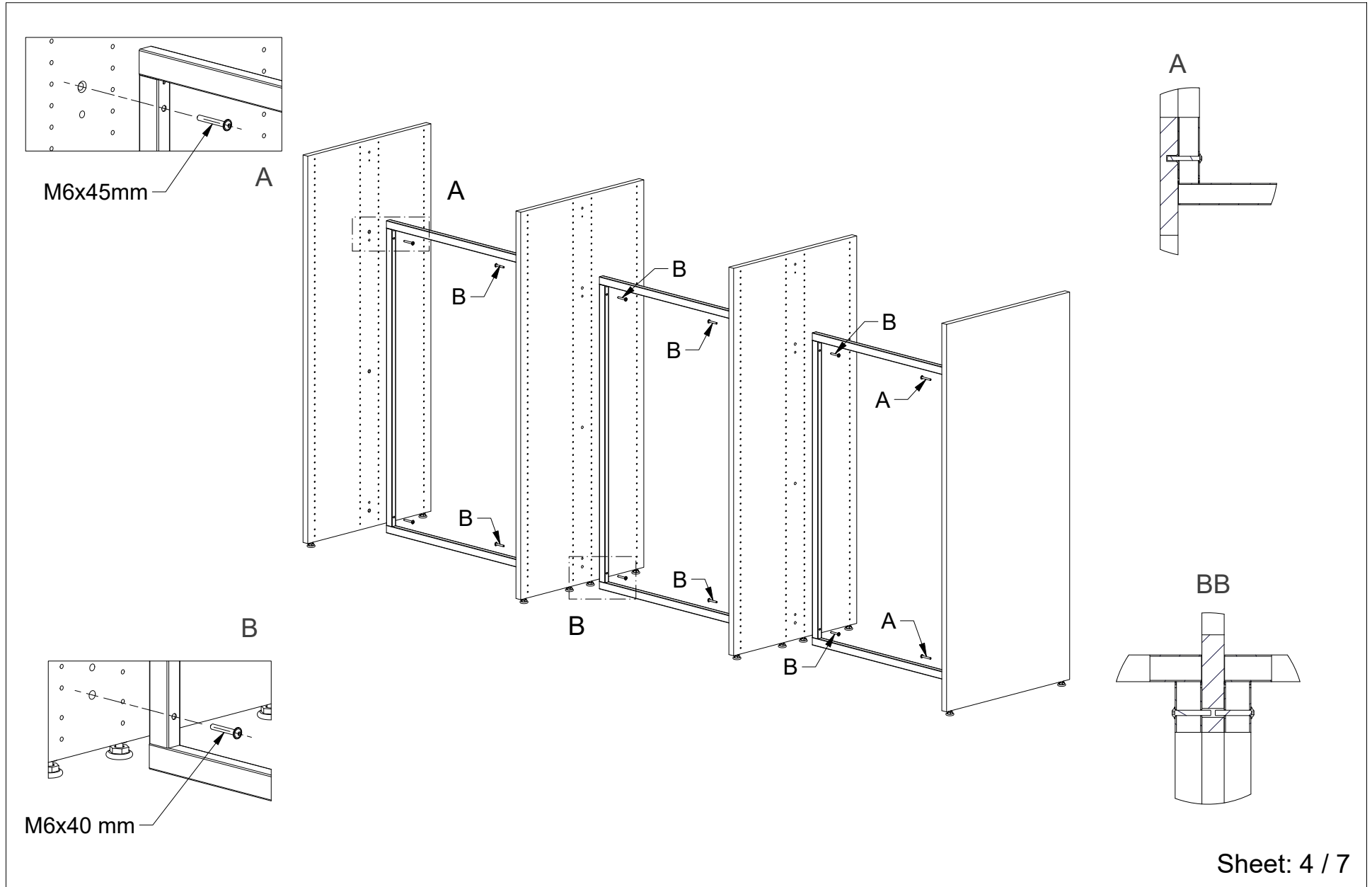
# Assembly Guide

Lingo, steel back frames

WE ARE LIBRARY PEOPLE®

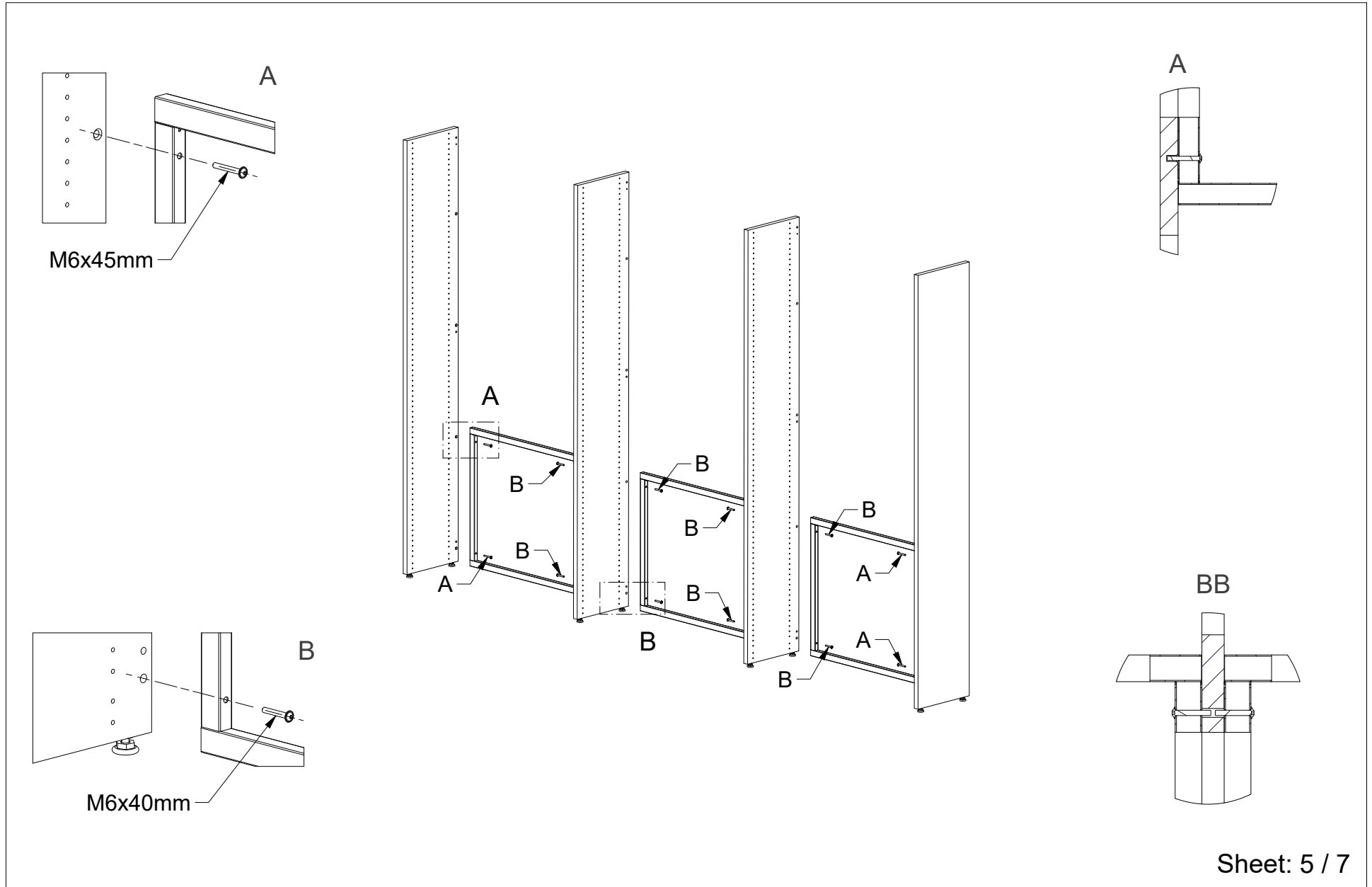


Lingo shelving H=142 cm - 179,5 cm, double



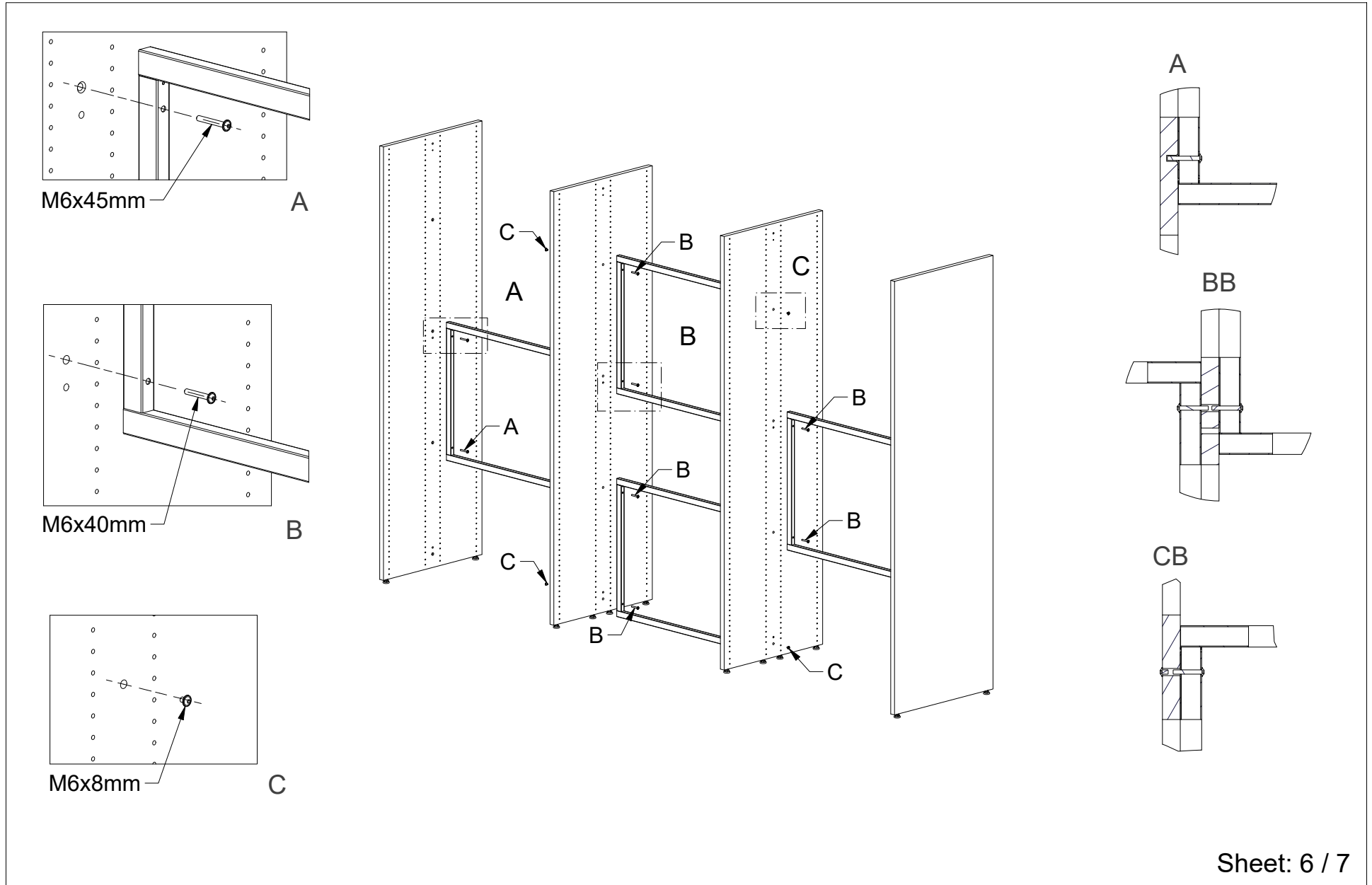


## Lingo shelving H>179,5 cm, single



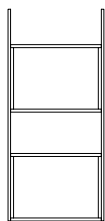


## Lingo shelving H>179,5 cm, double

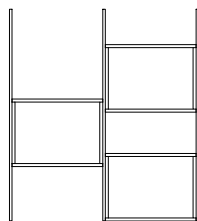




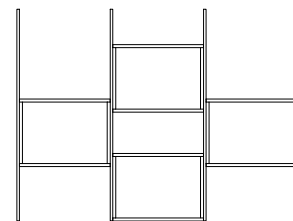
## Lingo shelving H>179,5 cm, double - Placement of back frames



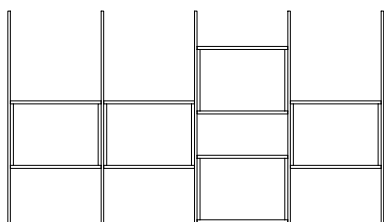
1 Bay



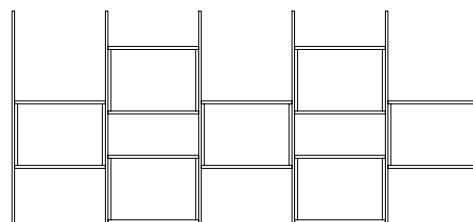
2 Bays



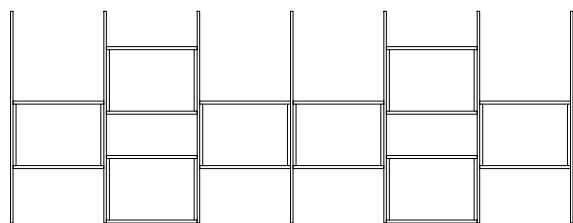
3 Bays



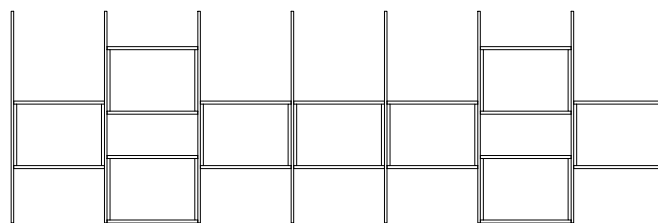
4 Bays



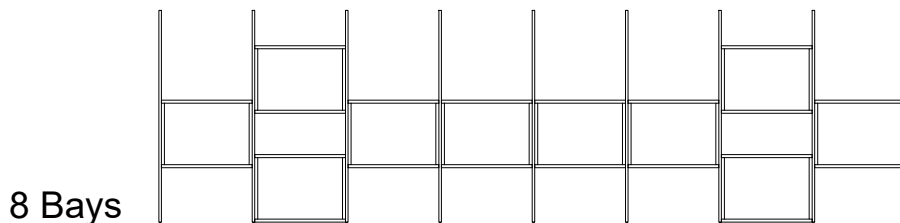
5 Bays



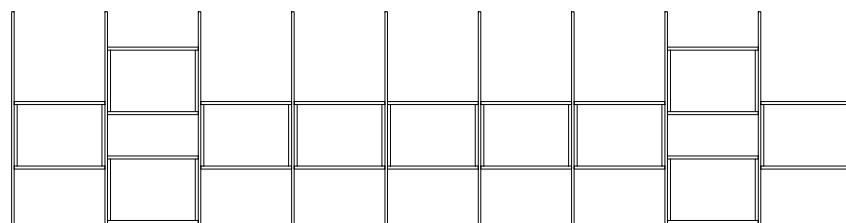
6 Bays



7 Bays



8 Bays



9 Bays