



Assembly Guide

Classic Line book trolley, WB 13



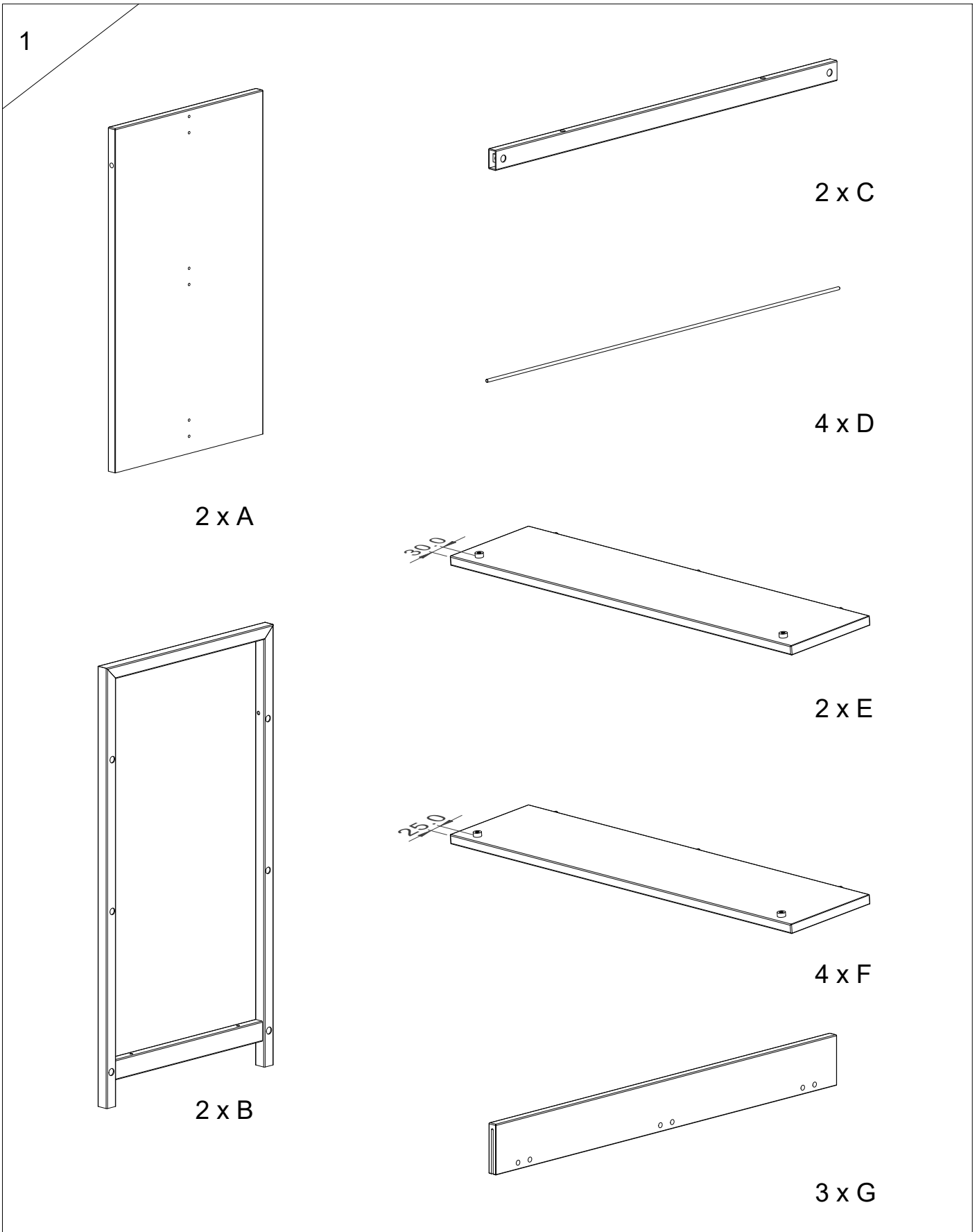
03.2022

First check the contents to make sure that nothing is missing. Sort out the screws and fittings as shown.
Assemble your furniture step by step, as shown in the illustrations.

Assembly Guide



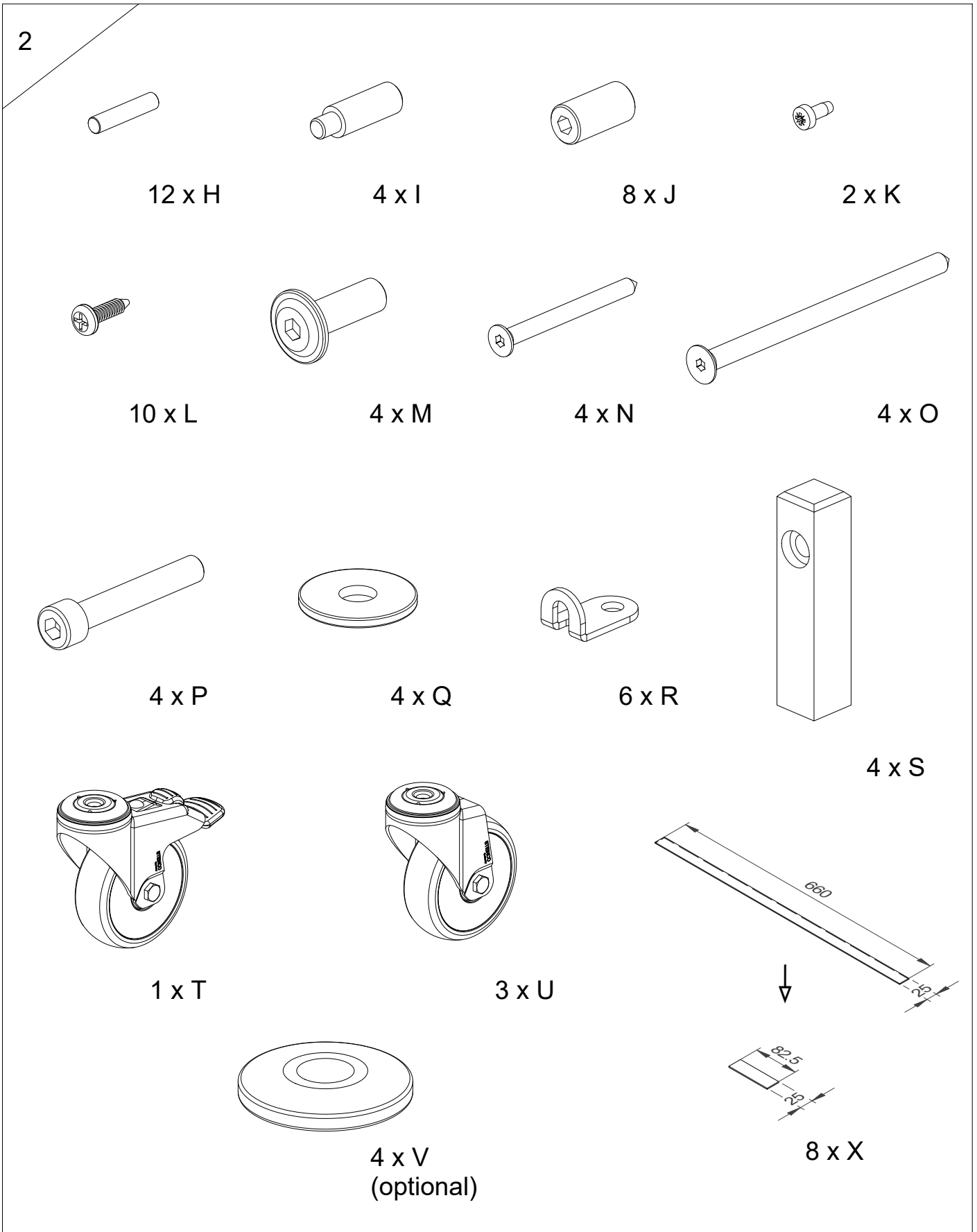
Classic Line book trolley, WB 13



Assembly Guide



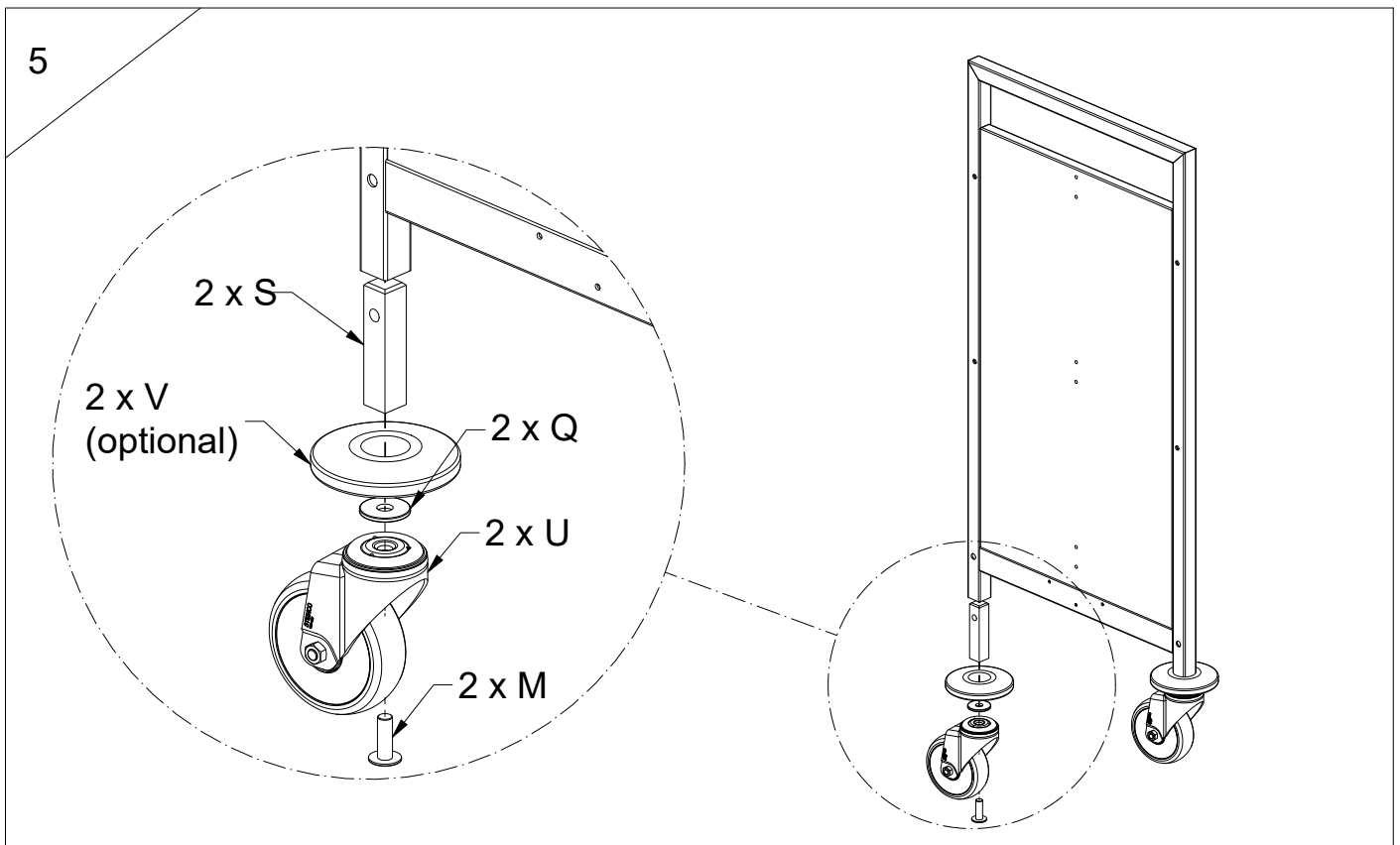
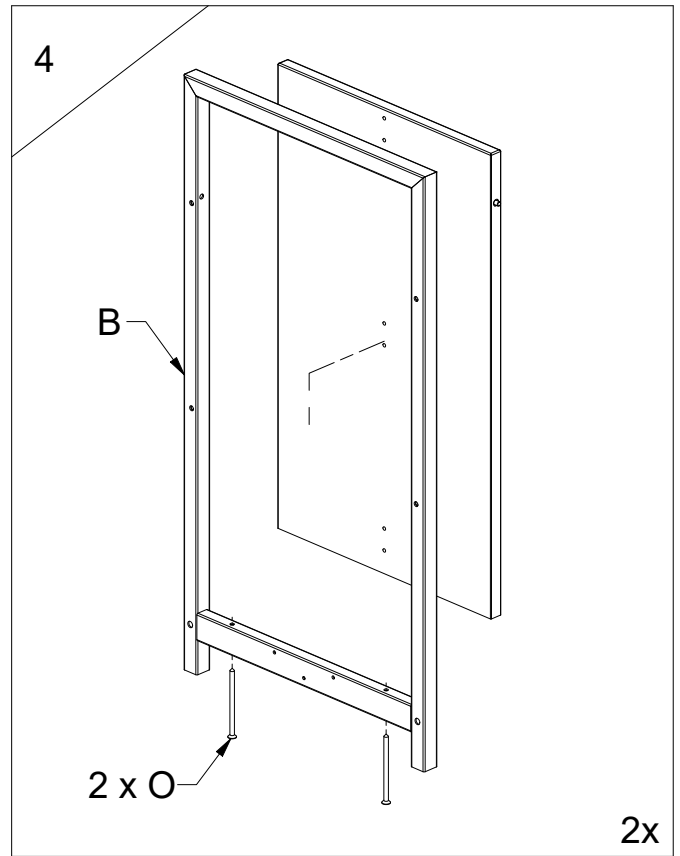
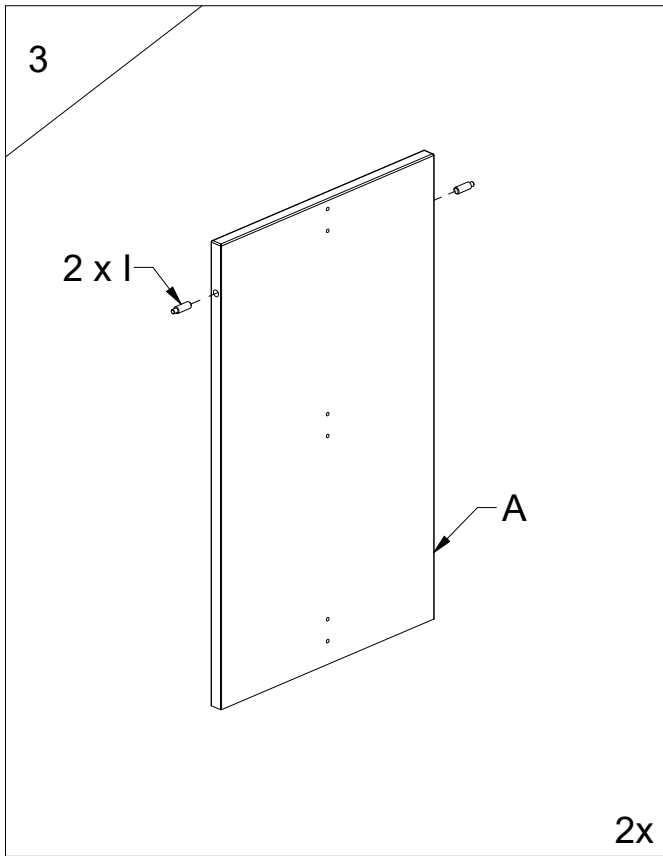
Classic Line book trolley, WB 13



Assembly Guide



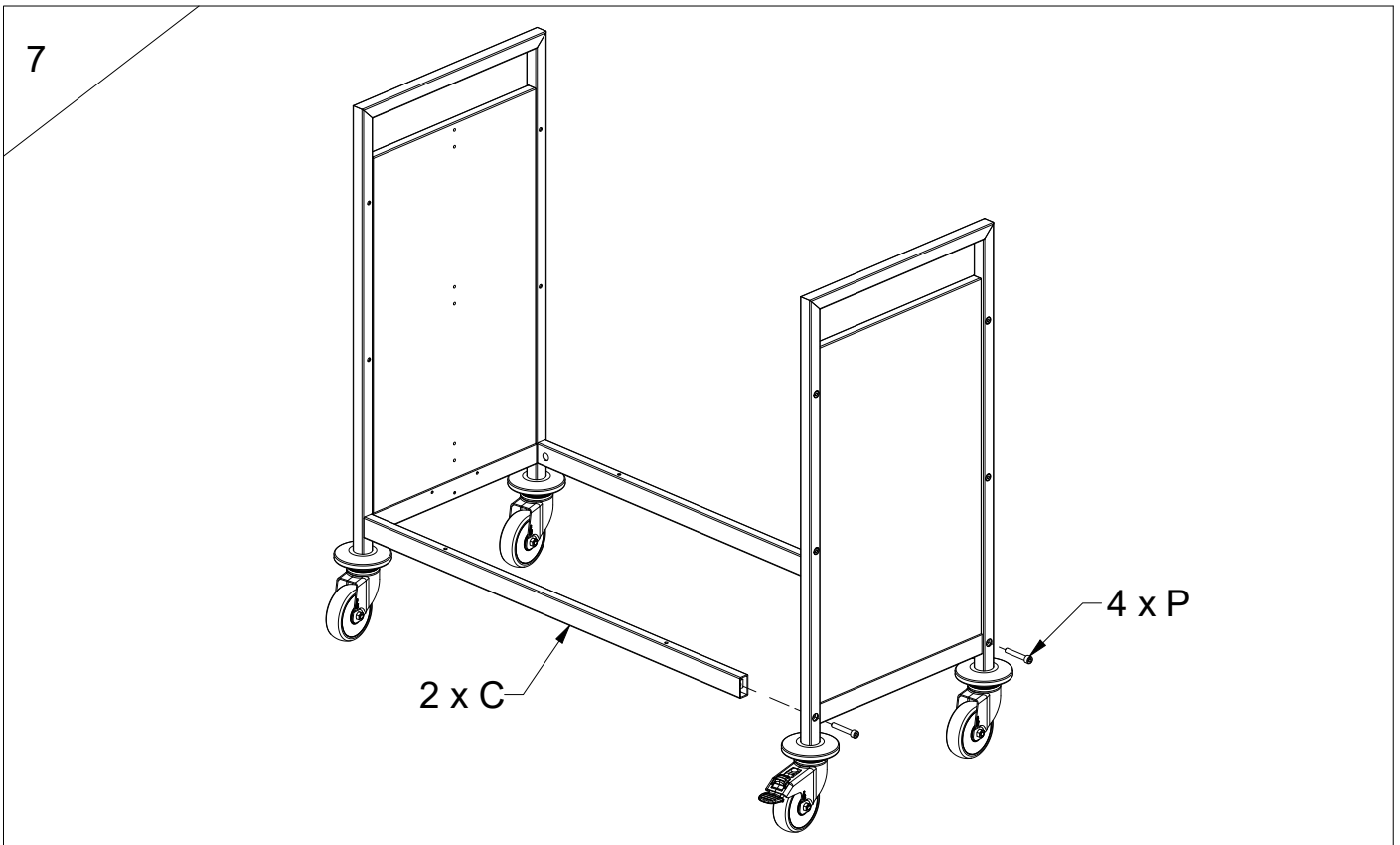
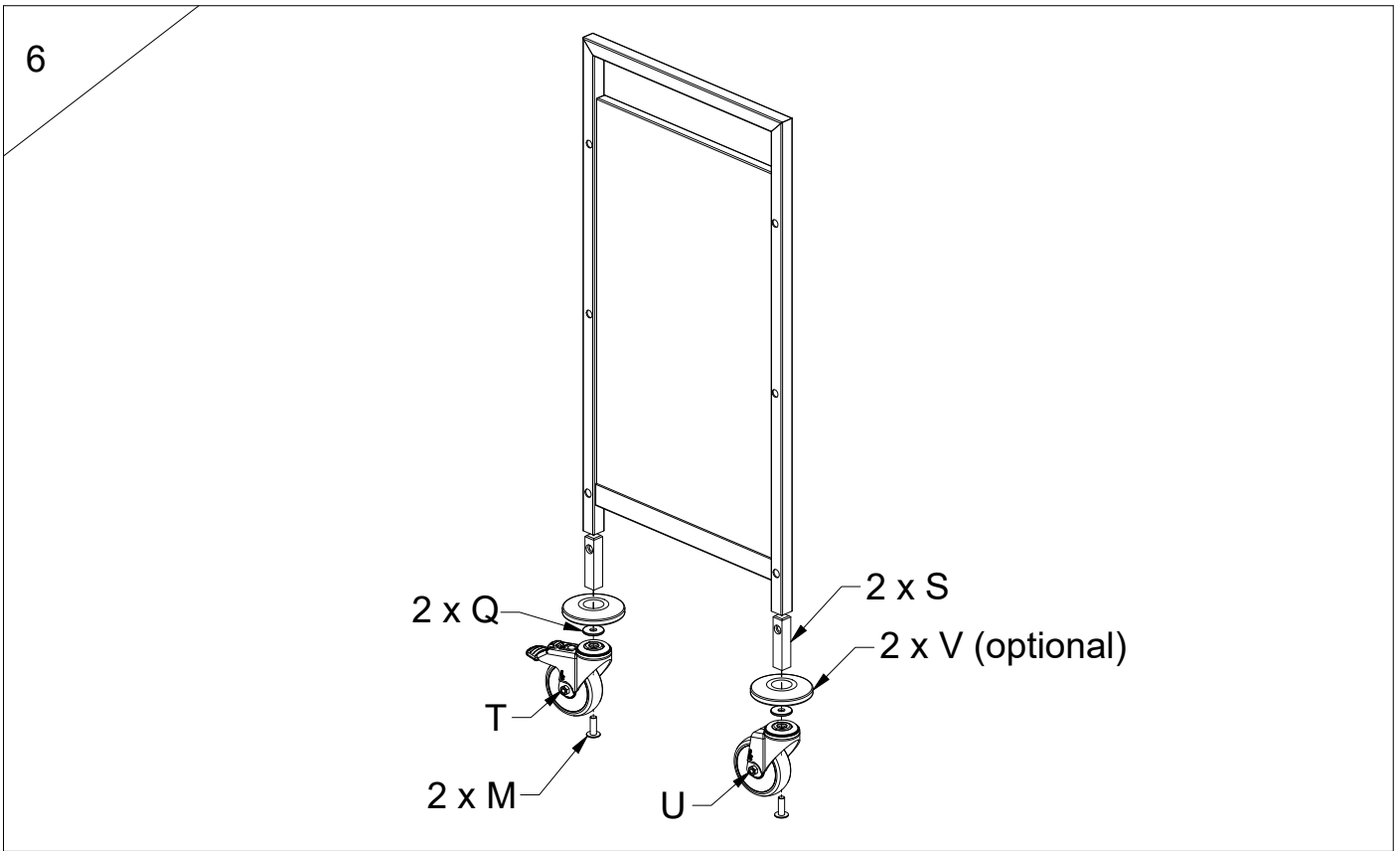
Classic Line book trolley, WB 13



Assembly Guide



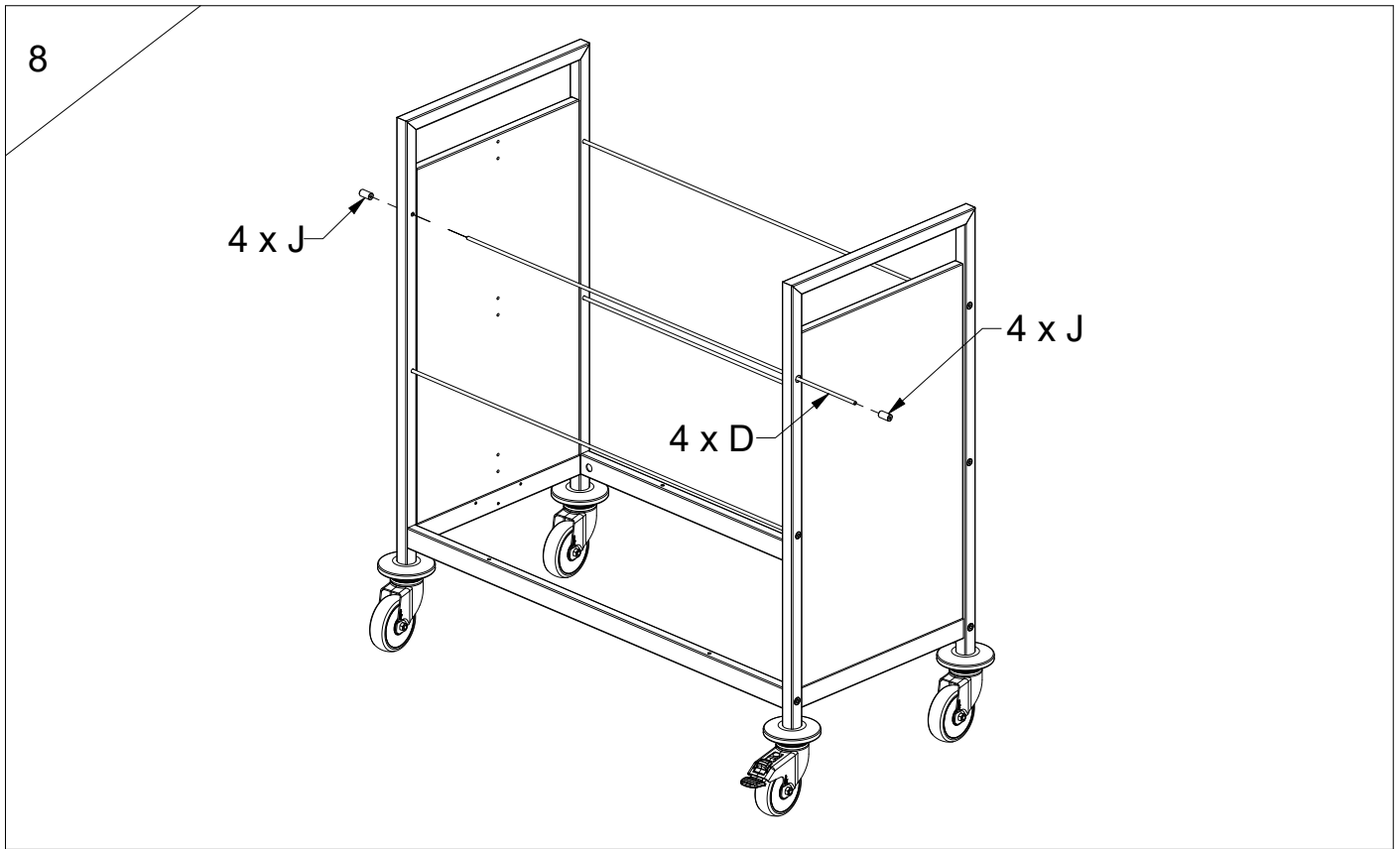
Classic Line book trolley, WB 13



Assembly Guide



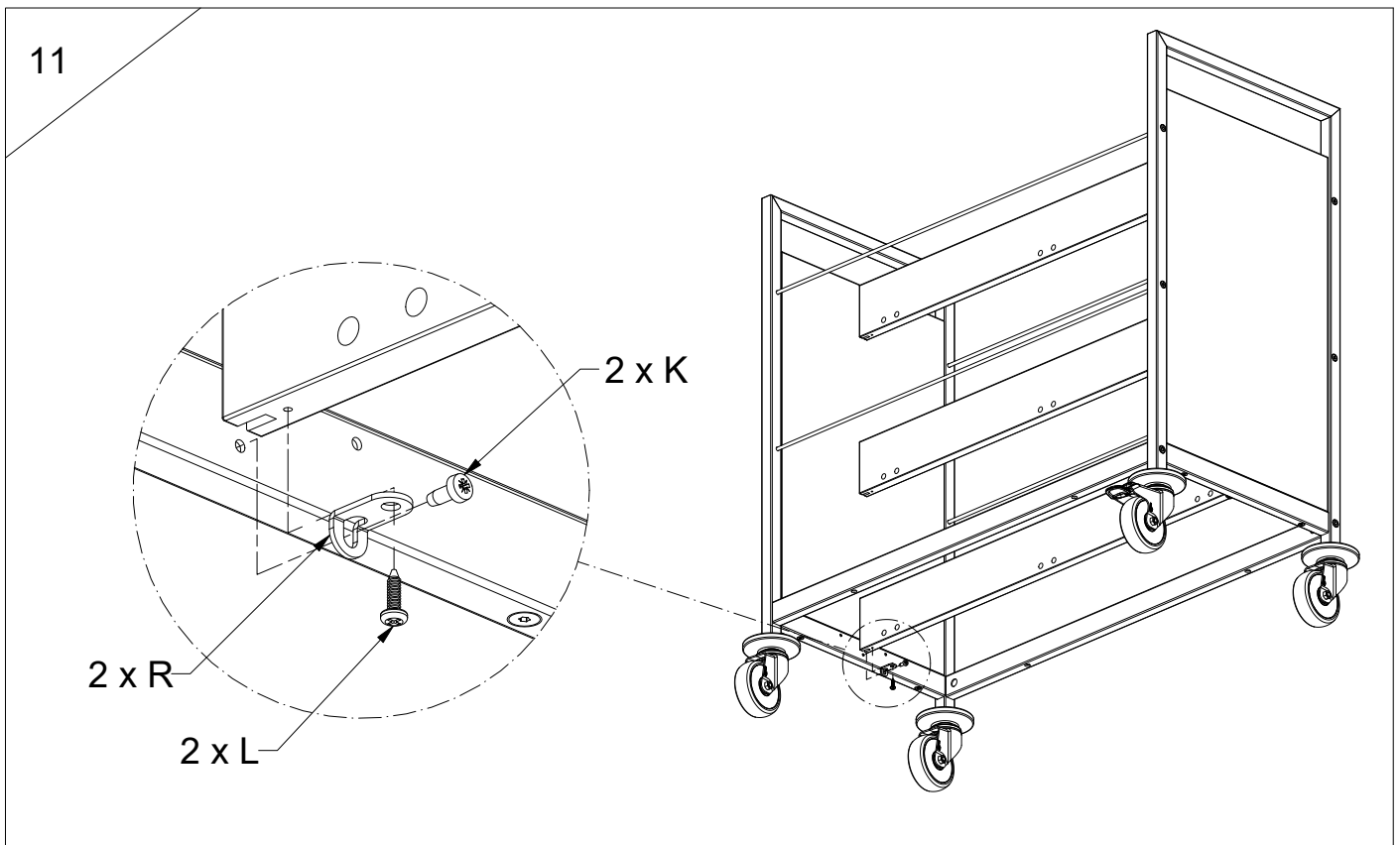
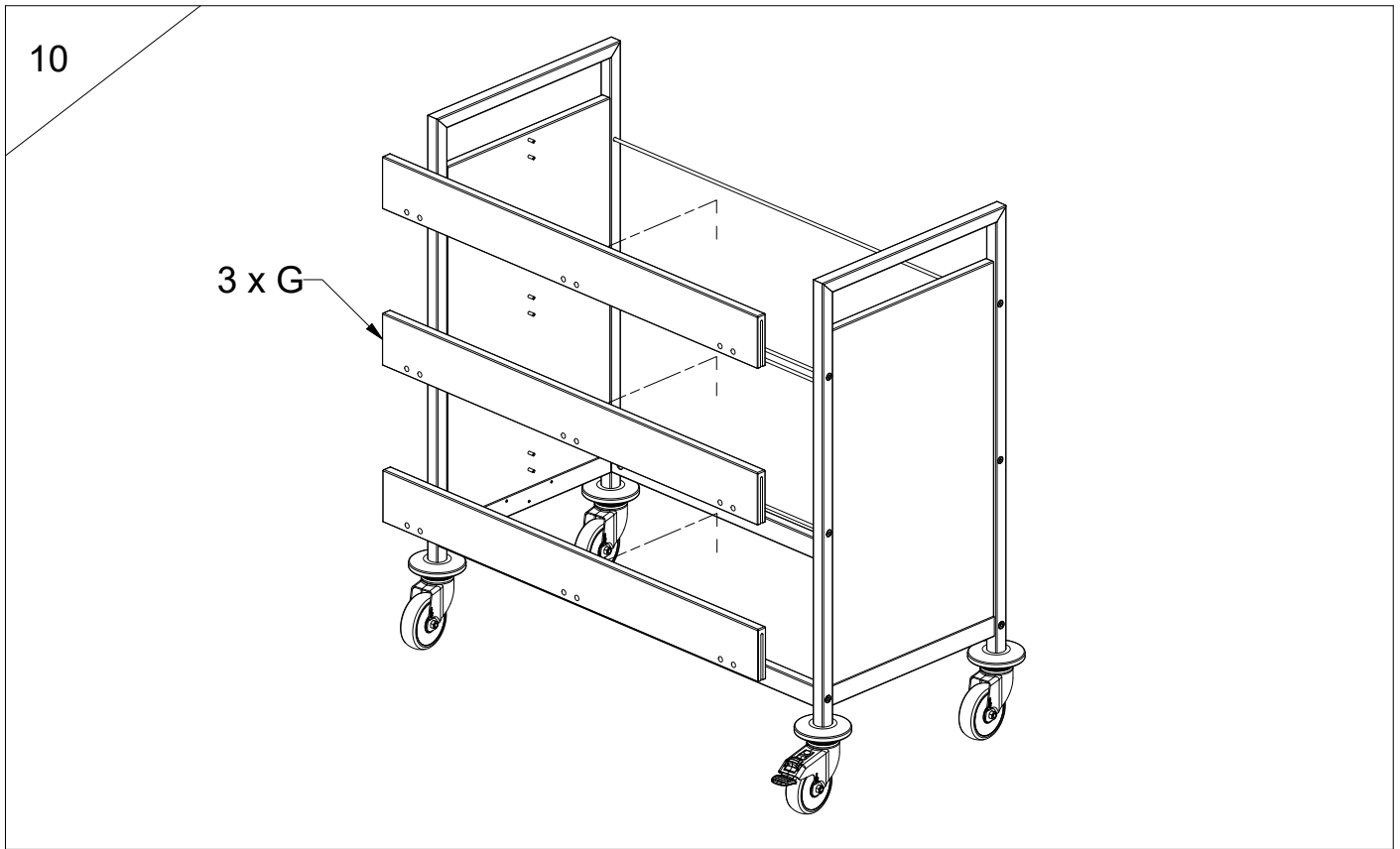
Classic Line book trolley, WB 13



Assembly Guide



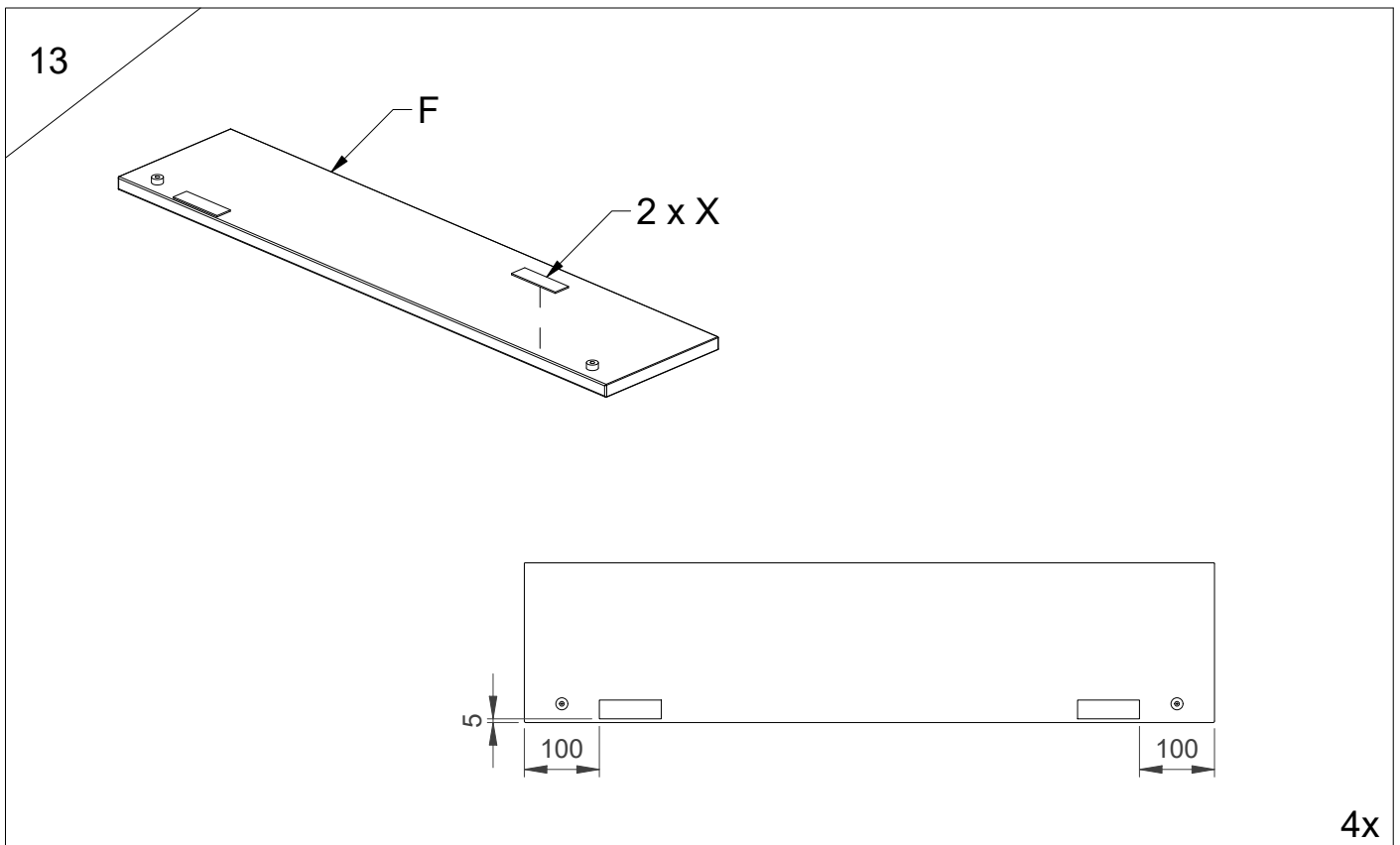
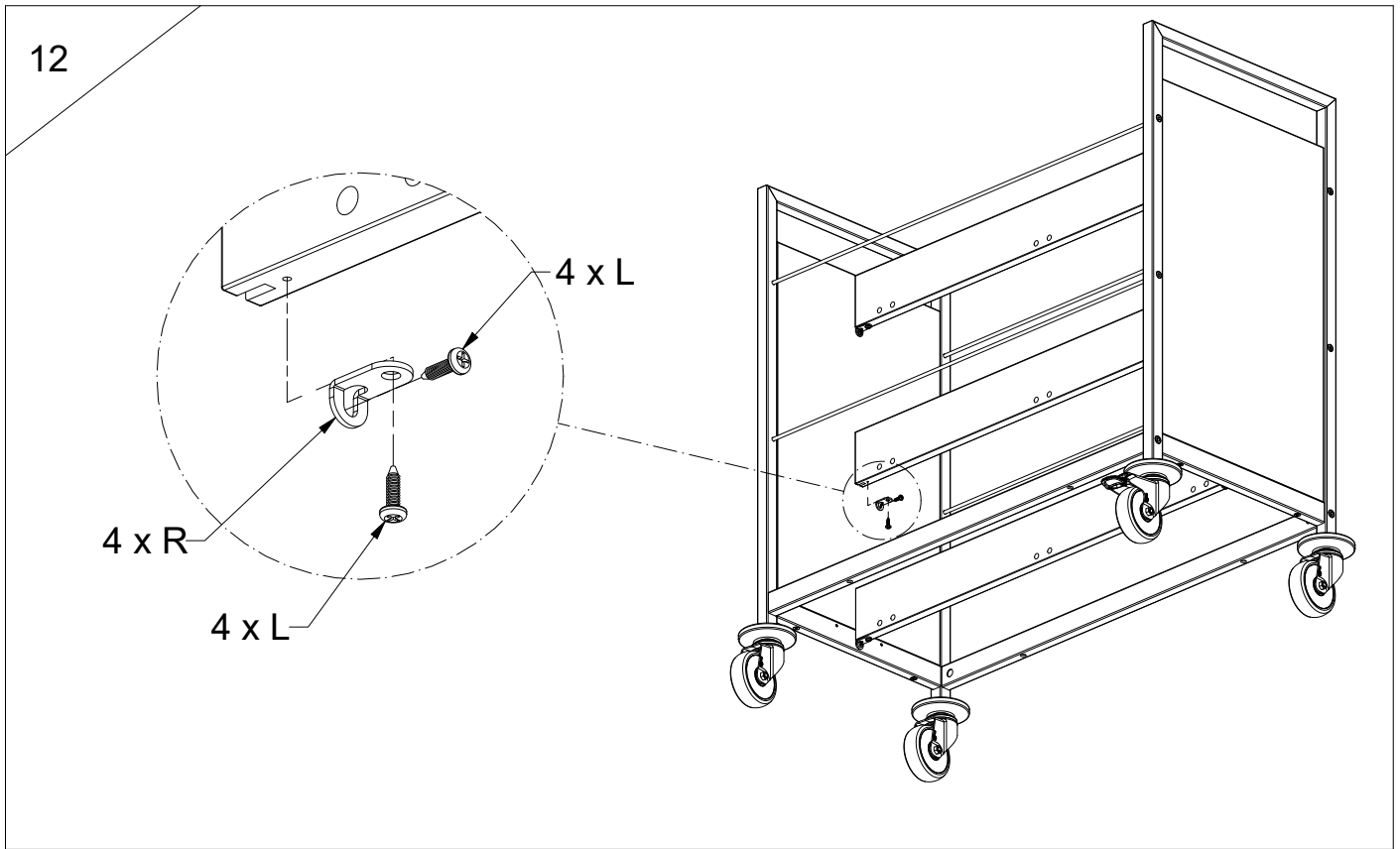
Classic Line book trolley, WB 13



Assembly Guide



Classic Line book trolley, WB 13



Assembly Guide



Classic Line book trolley, WB 13

